

LINEAR PERSPECTIVE

One Point Perspective – Objects appear smaller as they get farther away.

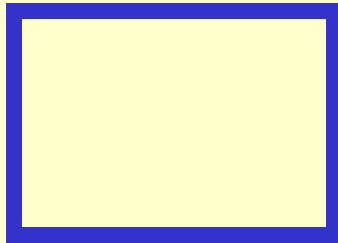
Draw a Horizon Line – across the middle of page.



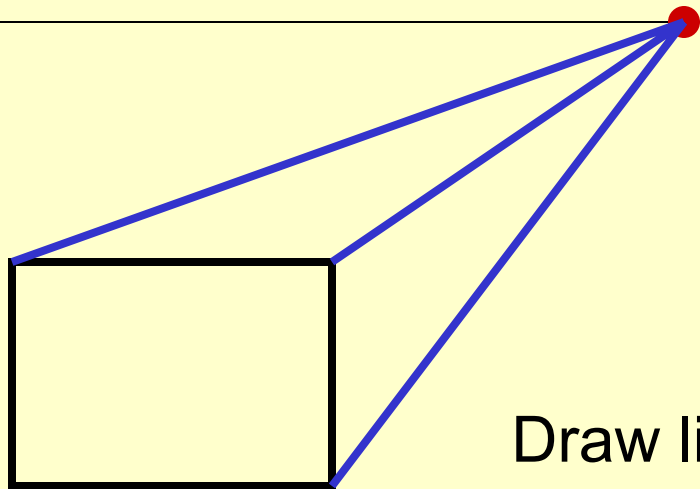
Place a VANISHING POINT on the center of the line.



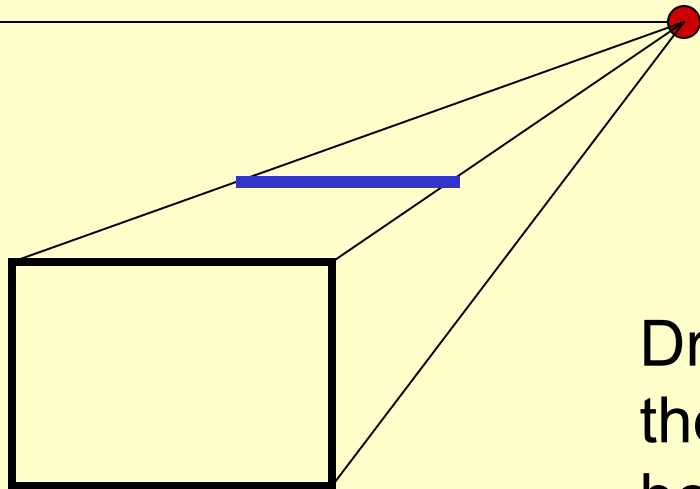
This is where all lines will recede to.



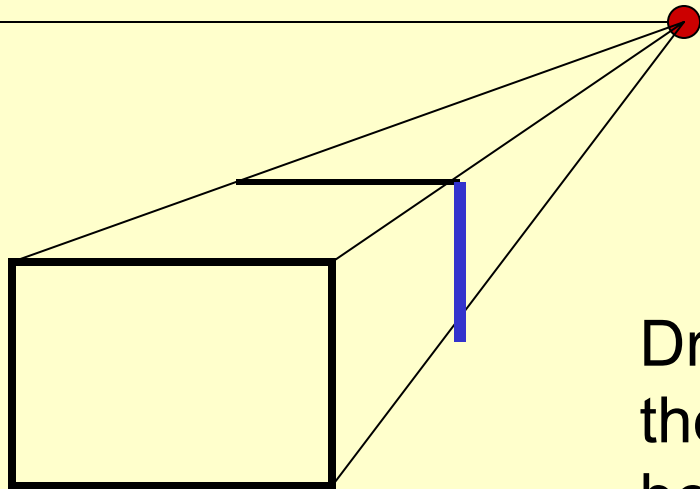
Draw a rectangle in the bottom
left section of the page.



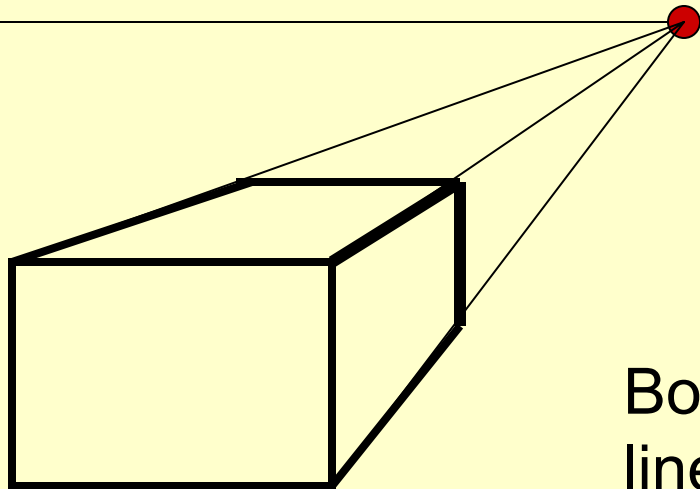
Draw lines from each of the 3 corners of the rectangle closest to the VANISHING POINT.



Draw a line parallel to
the top of the rectangle
between the 2 lines
extending to the
VANISHING POINT.

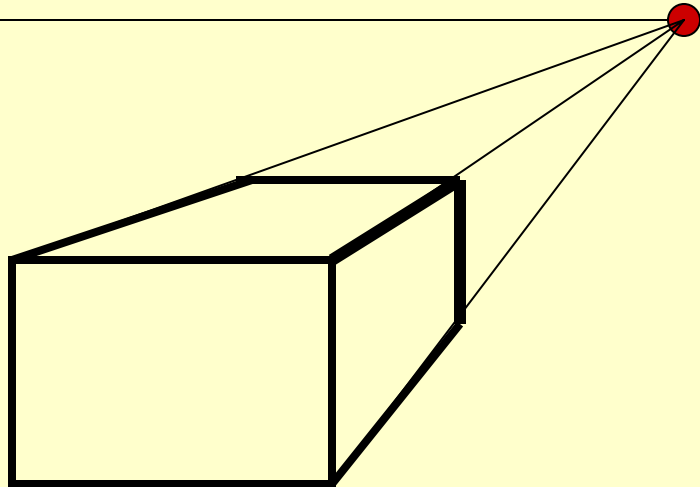
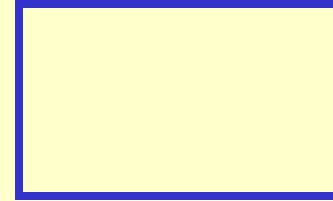


Draw a line parallel to
the side of the rectangle
between the 2 lines
extending to the
VANISHING POINT.

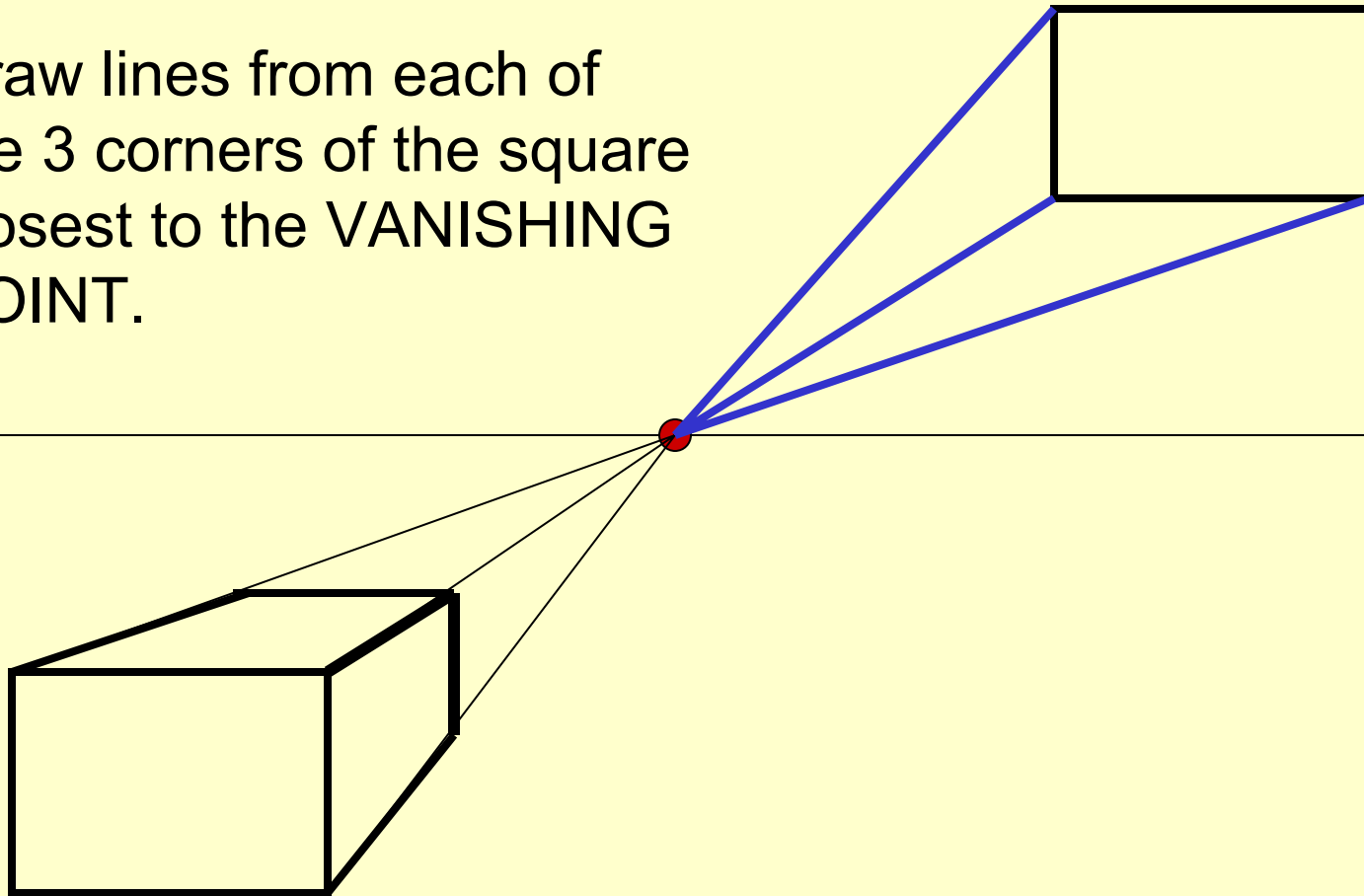


Boldly outline the
lines of the box.

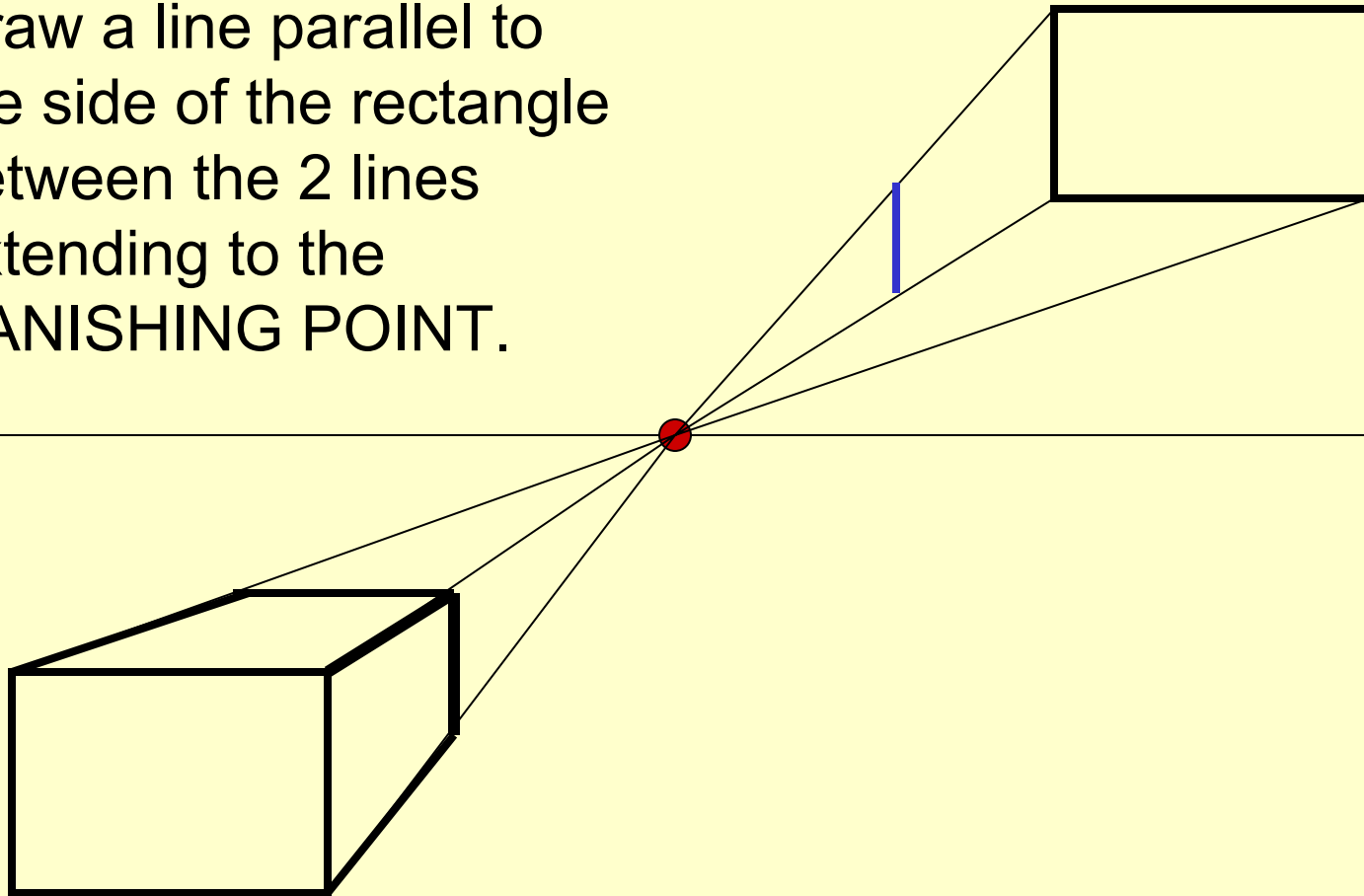
Repeat the steps starting with a rectangle in the top right section.



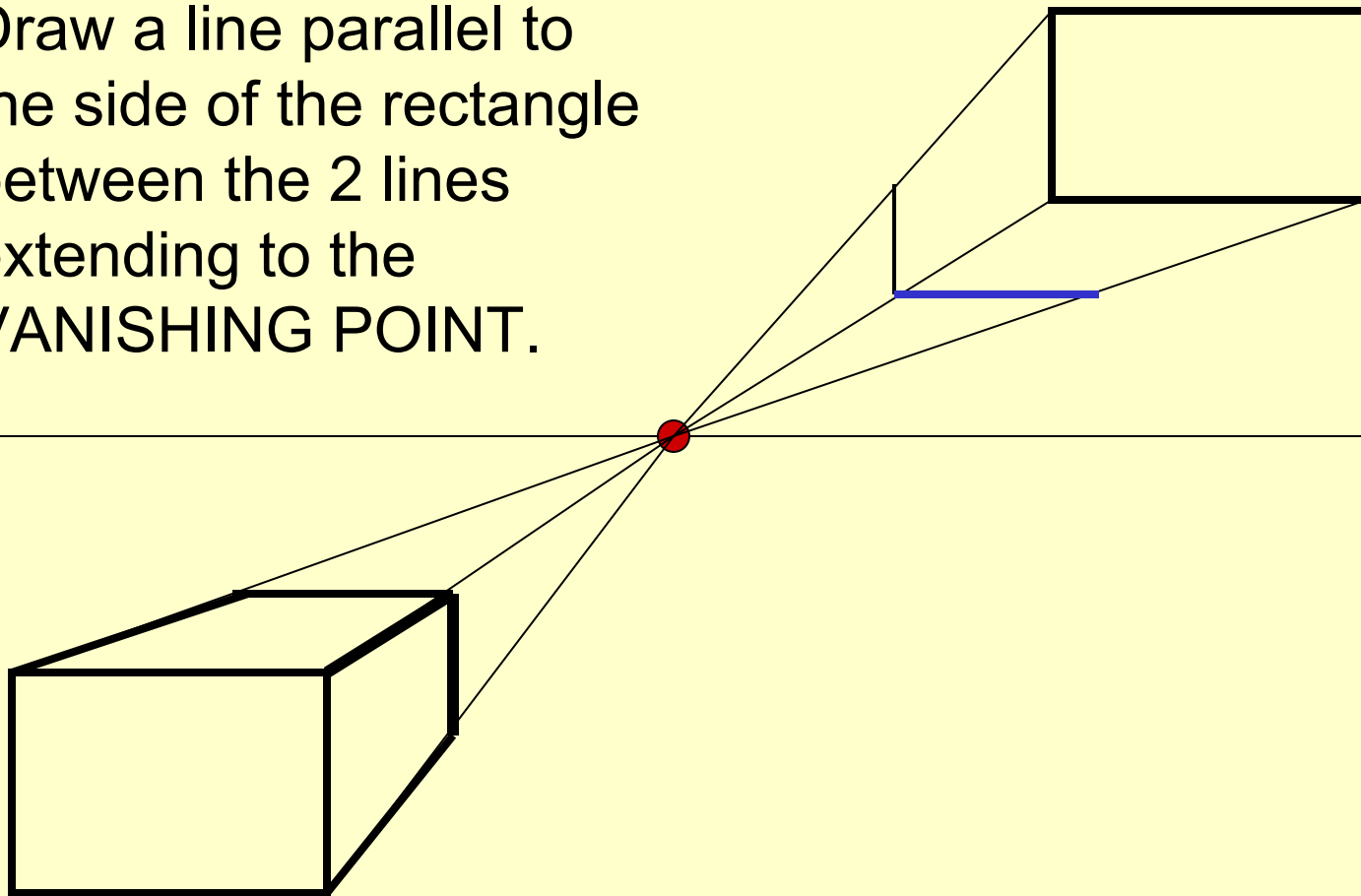
Draw lines from each of the 3 corners of the square closest to the VANISHING POINT.



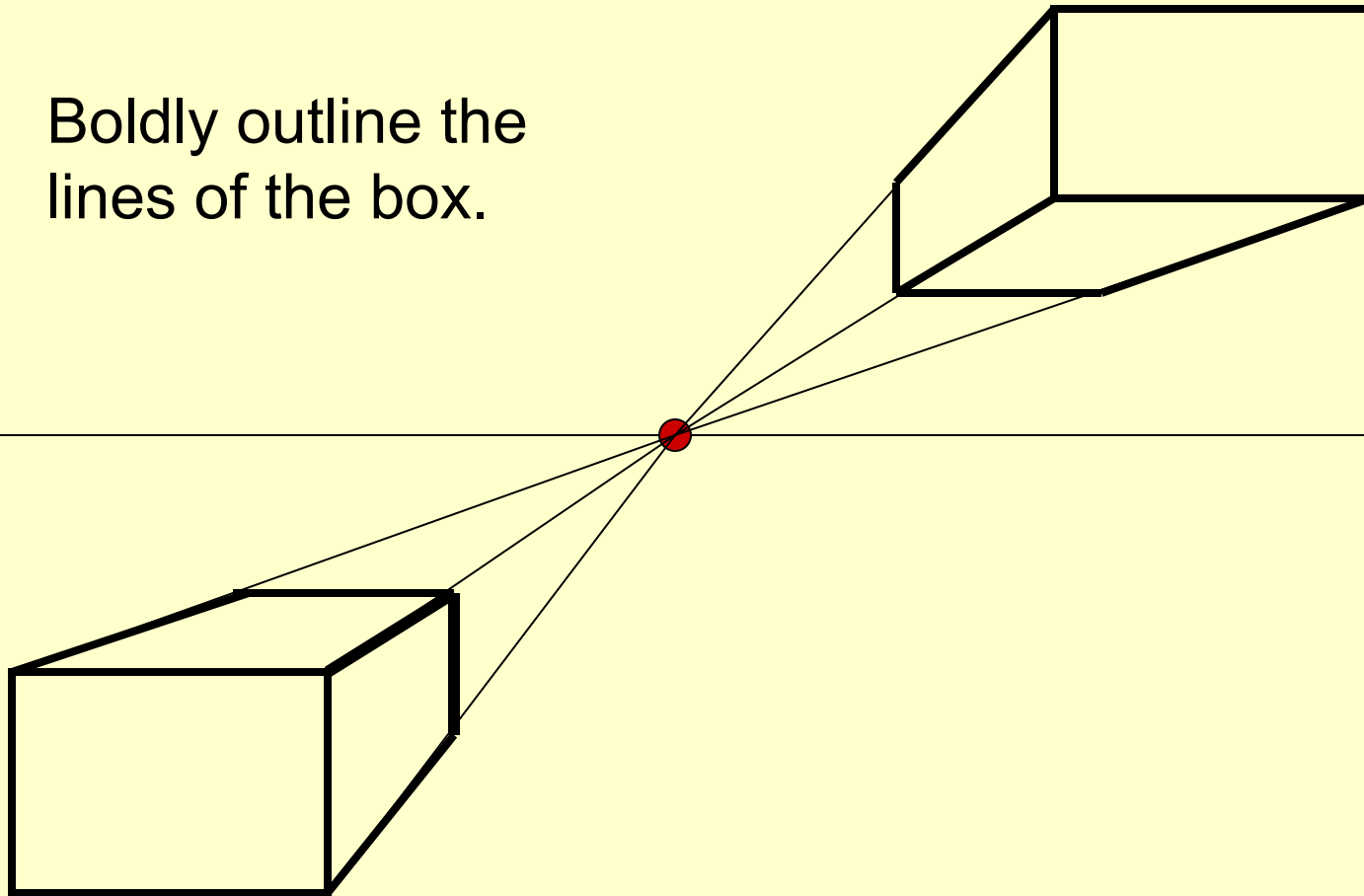
Draw a line parallel to the side of the rectangle between the 2 lines extending to the VANISHING POINT.



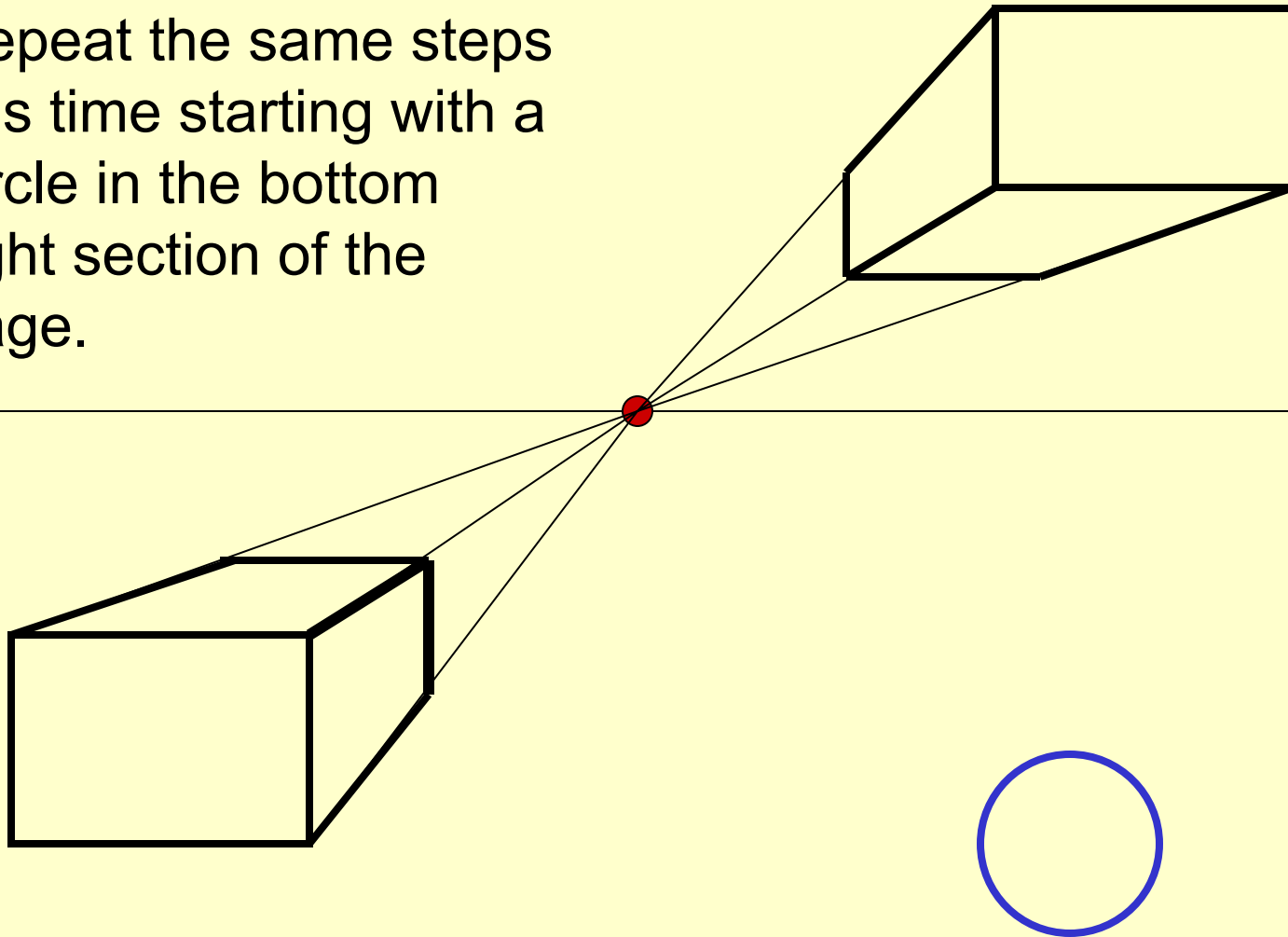
Draw a line parallel to the side of the rectangle between the 2 lines extending to the VANISHING POINT.

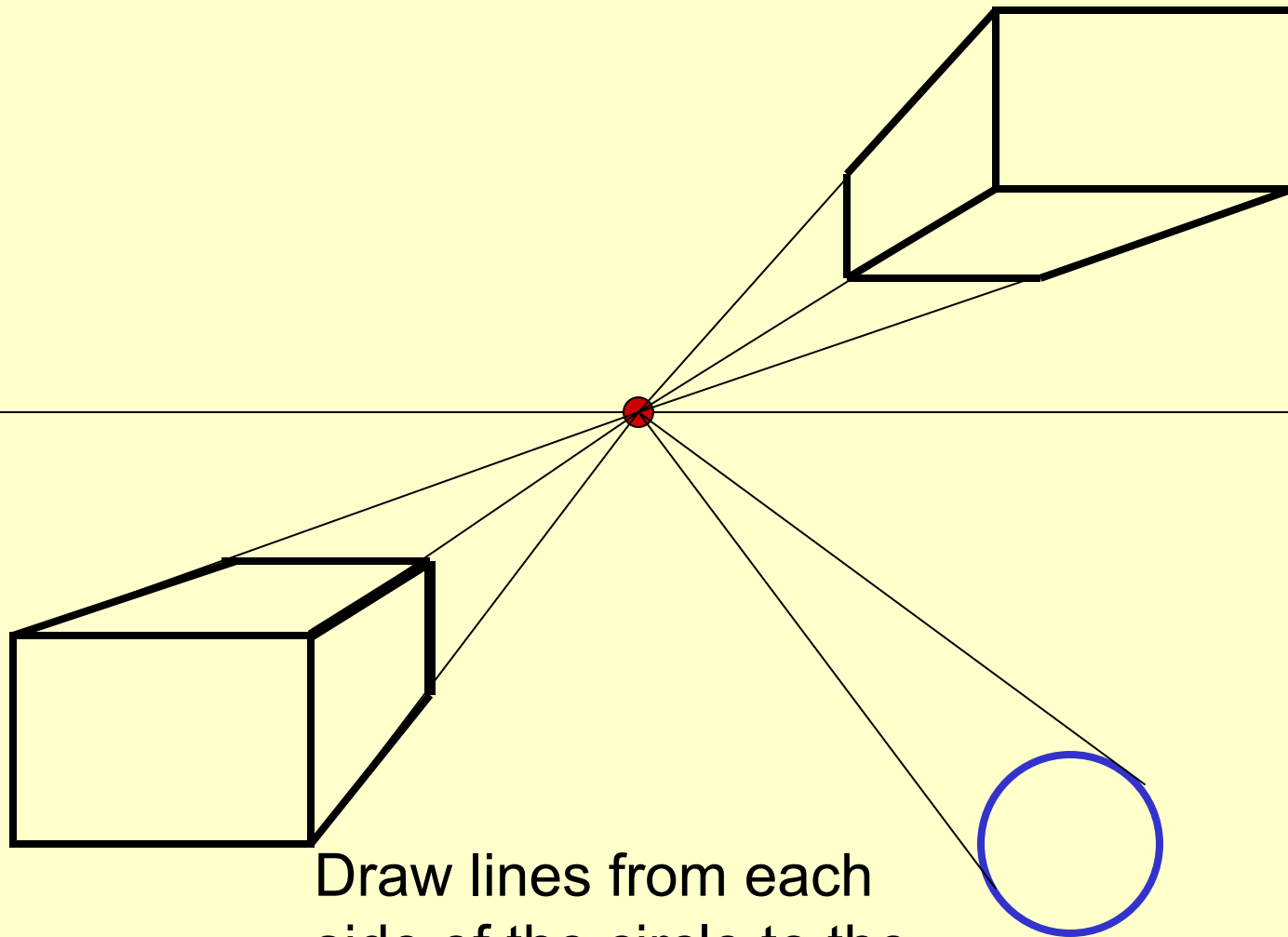


Boldly outline the
lines of the box.

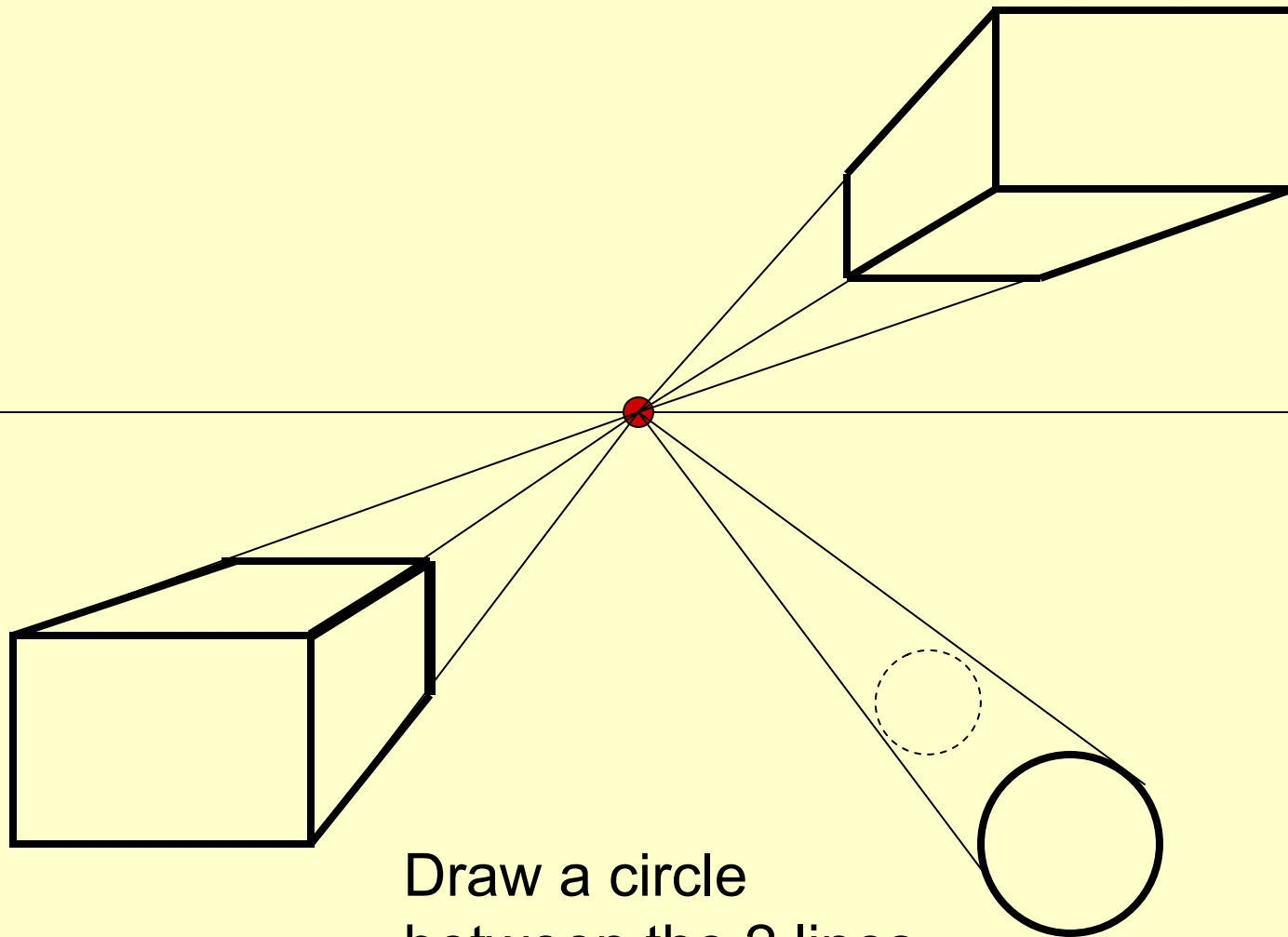


Repeat the same steps
this time starting with a
circle in the bottom
right section of the
page.

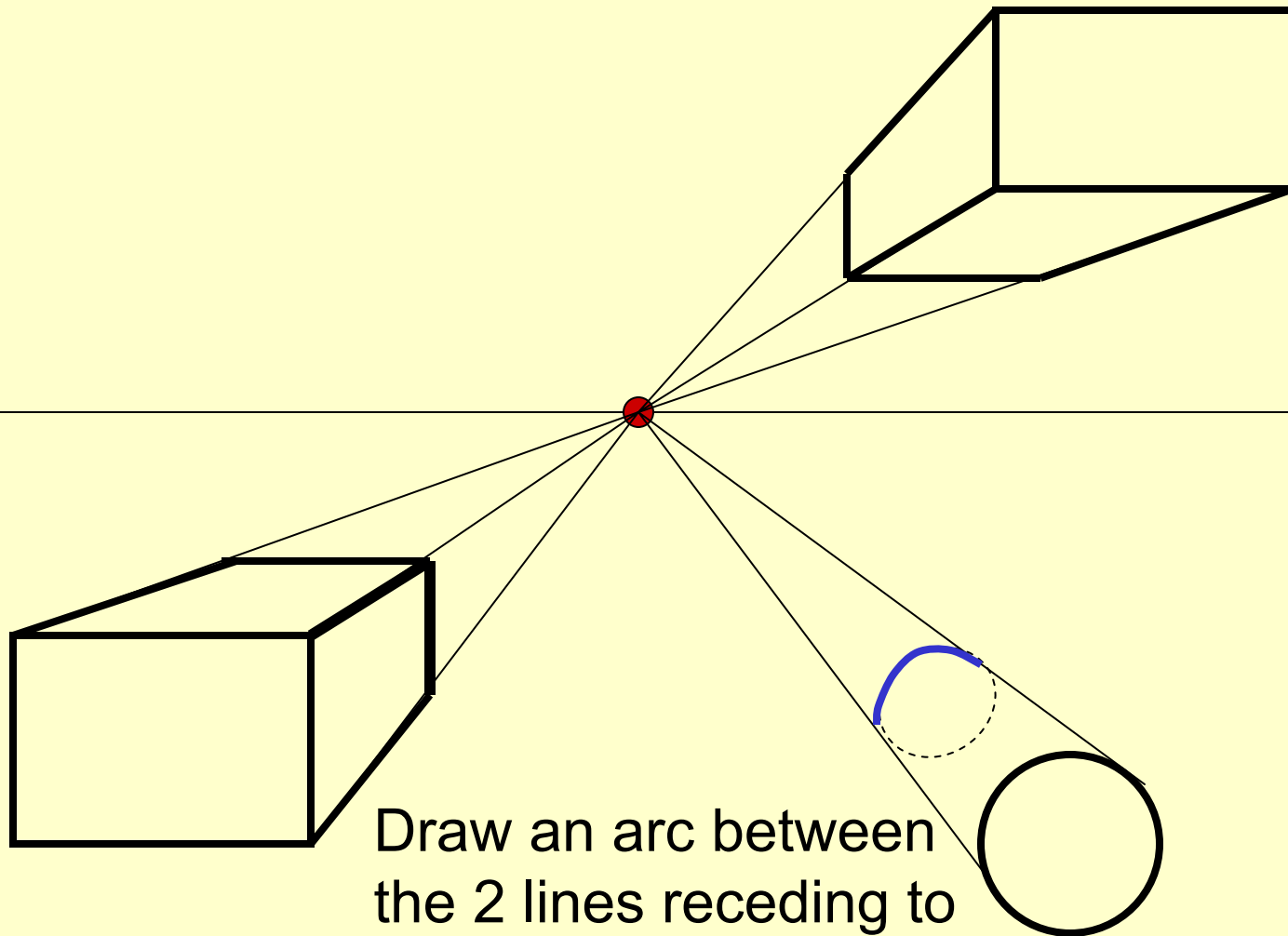




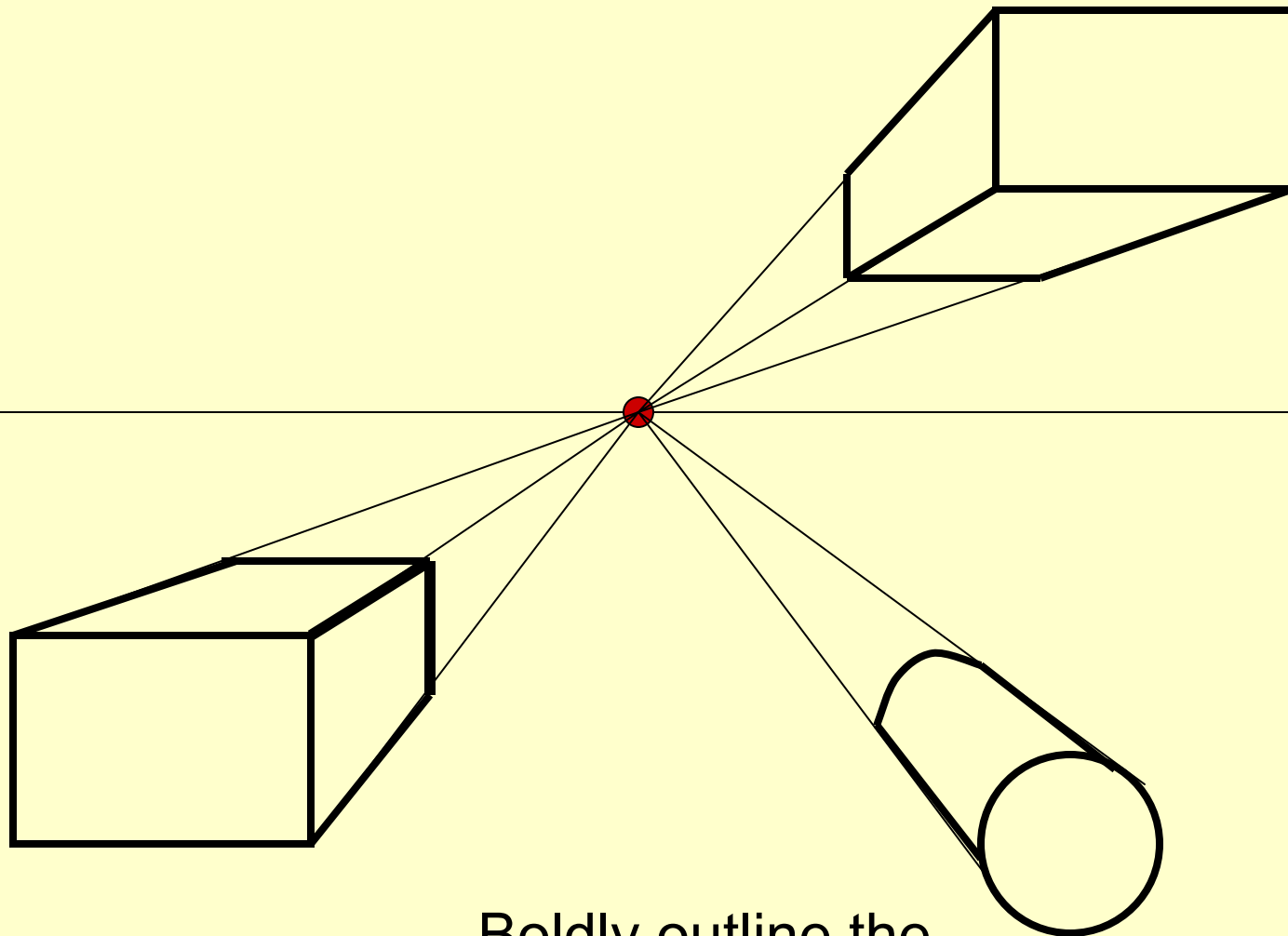
Draw lines from each side of the circle to the VANISHING POINT.



Draw a circle
between the 2 lines
receding to the
VANISHING POINT.

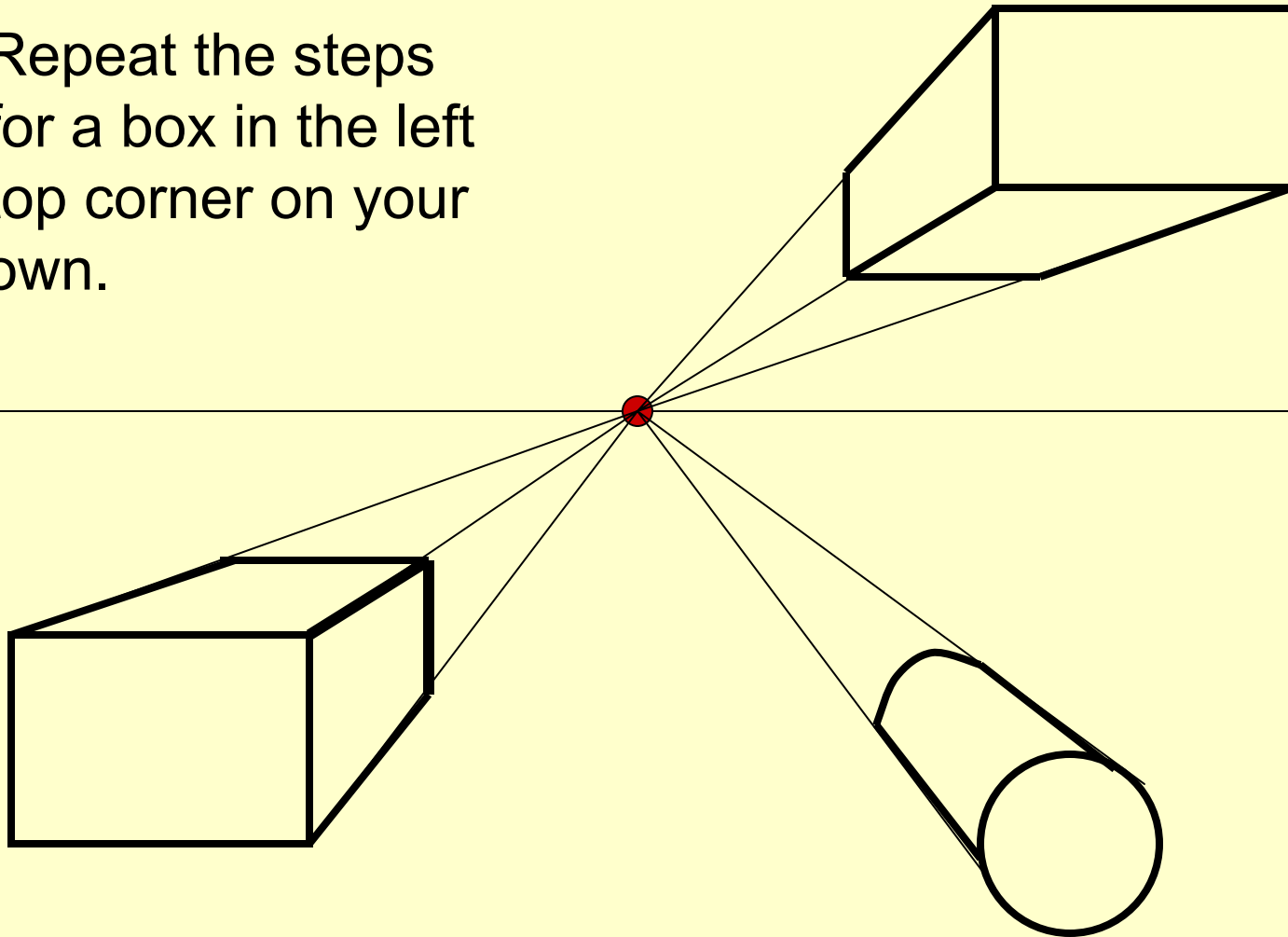


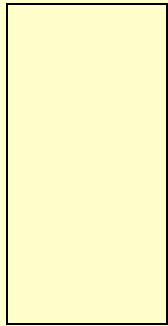
Draw an arc between
the 2 lines receding to
the VANISHING
POINT over the top of
the sphere.



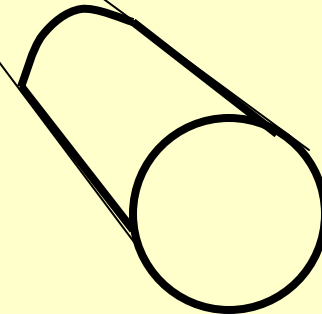
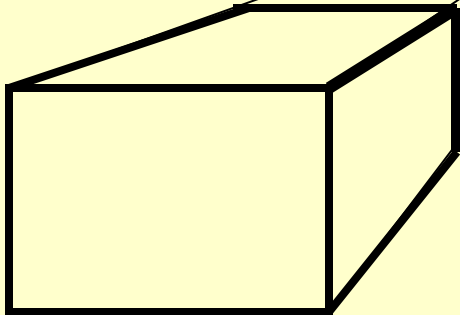
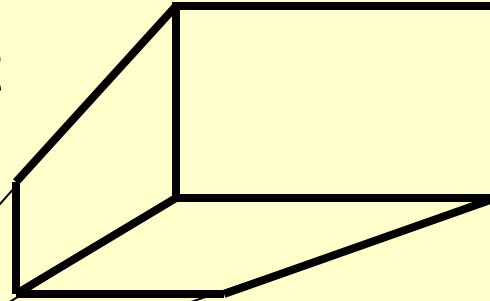
Boldly outline the
lines of the cylinder.

Repeat the steps
for a box in the left
top corner on your
own.

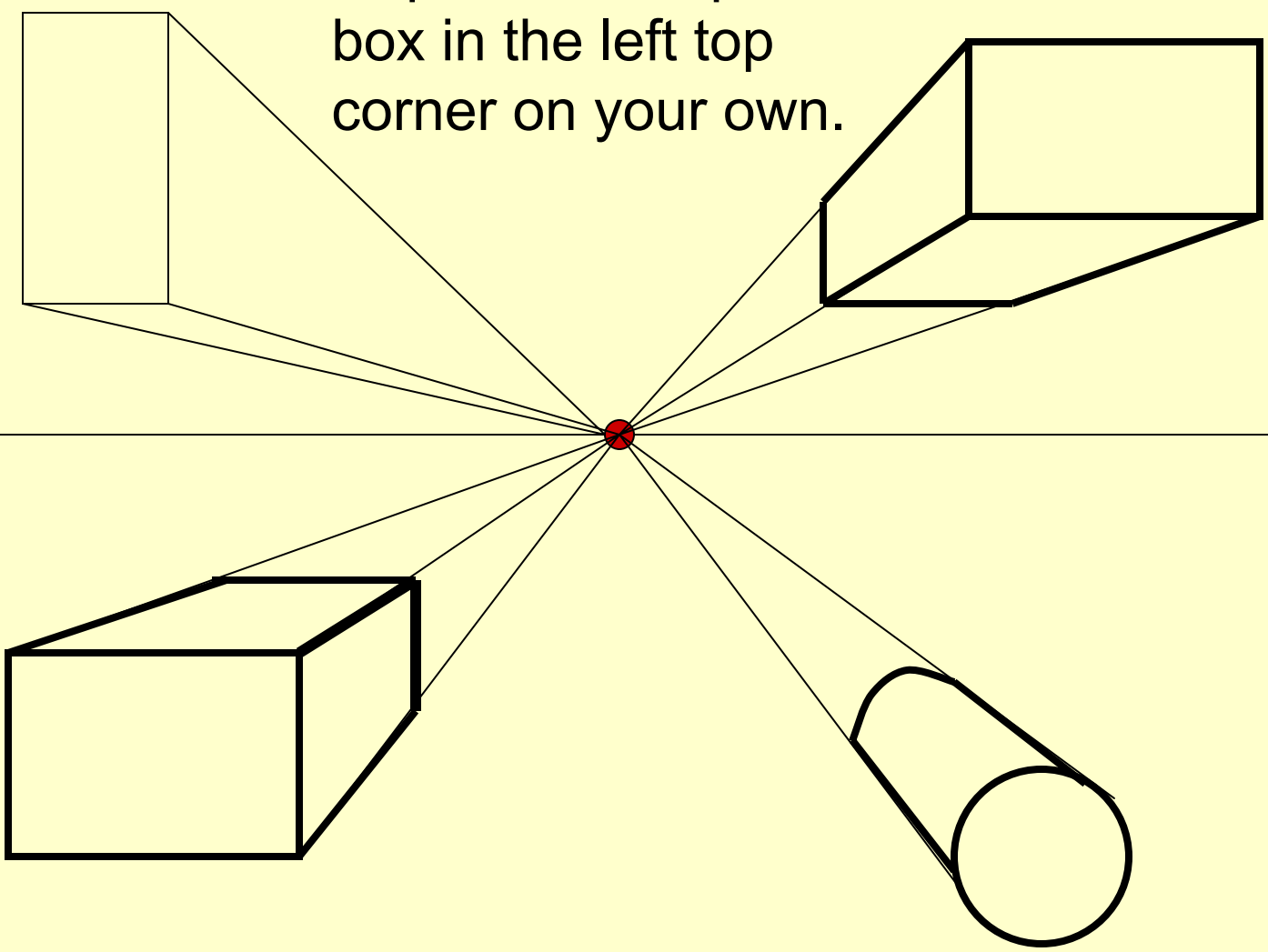




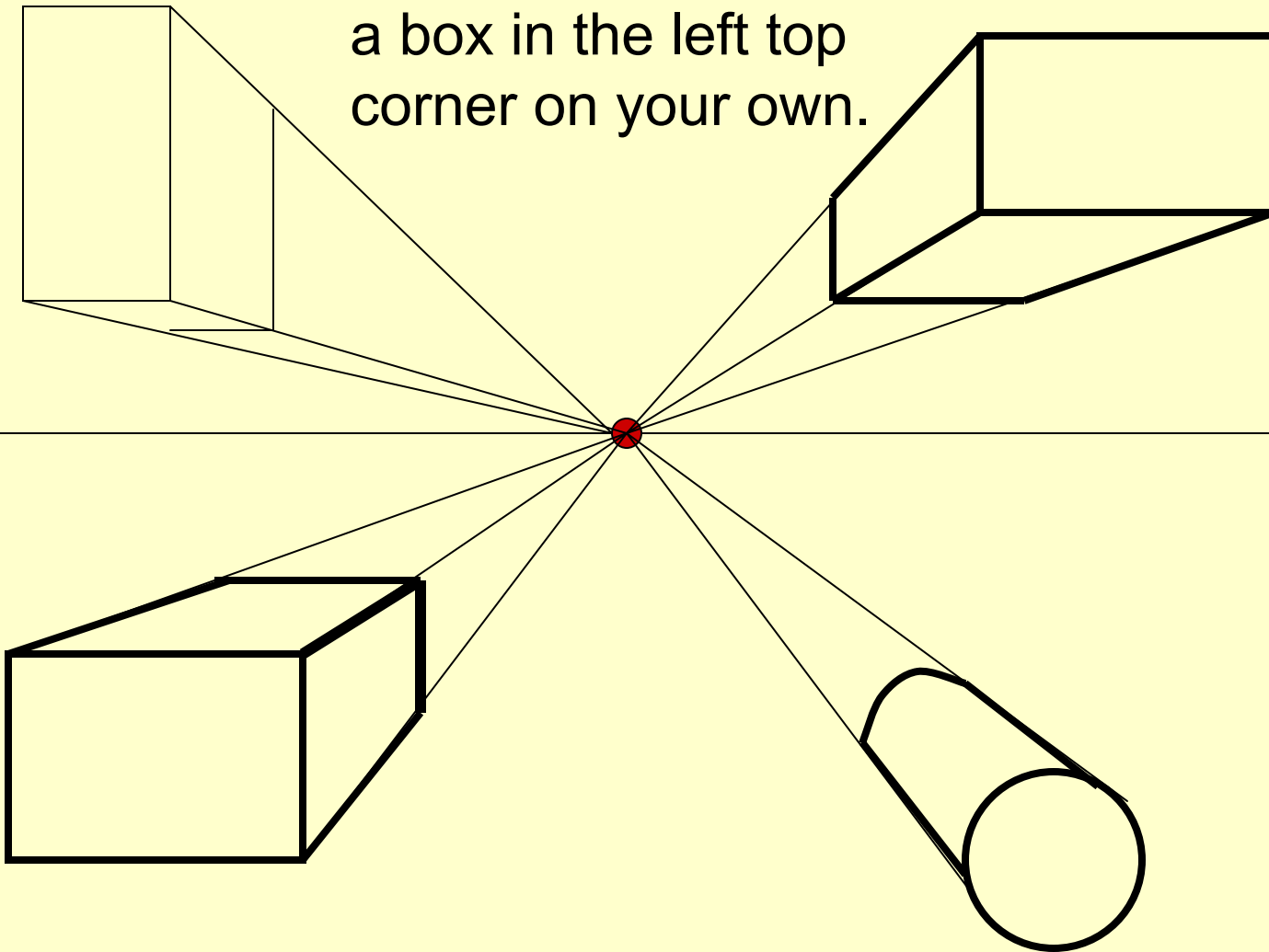
Repeat the steps
for a box in the left
top corner on your
own.



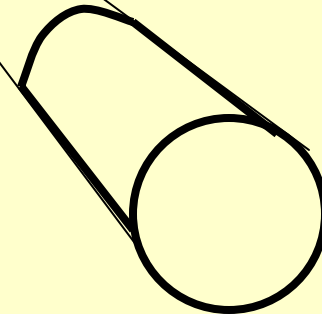
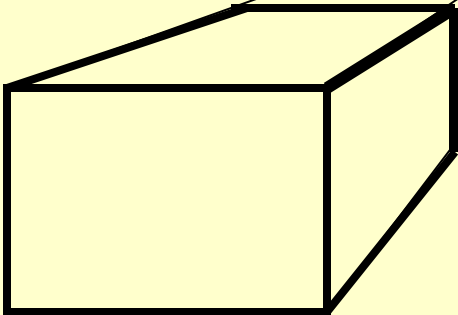
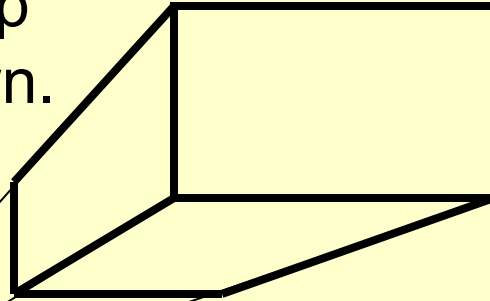
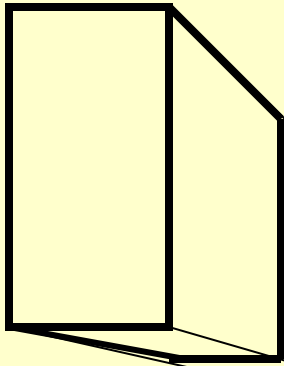
Repeat the steps for a
box in the left top
corner on your own.



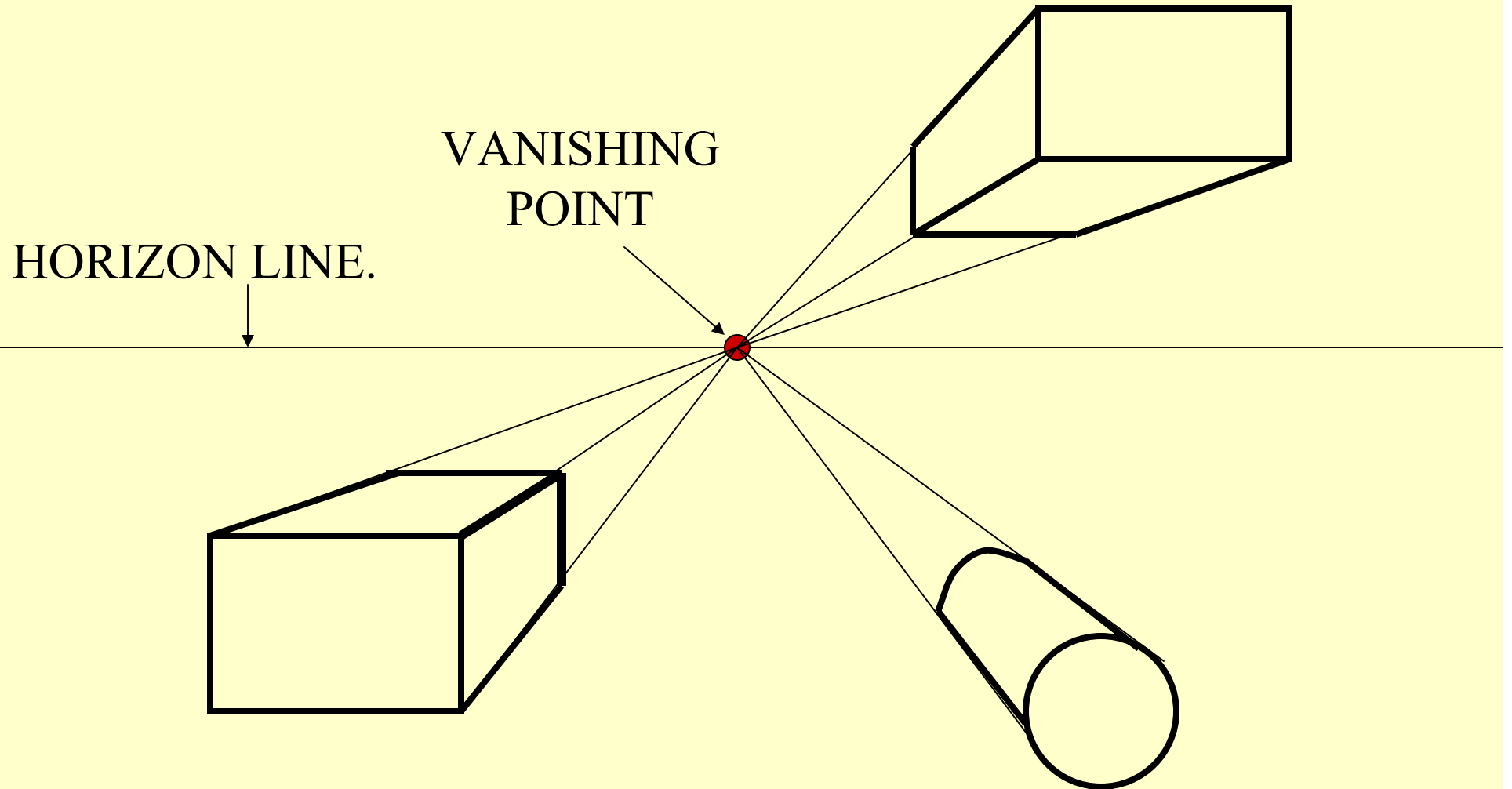
Repeat the steps for
a box in the left top
corner on your own.



Repeat the steps for
a box in the left top
corner on your own.



REVIEW

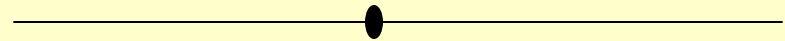


The only diagonal lines are those receding to the Vanishing Point.

One- Point Perspective Assignment

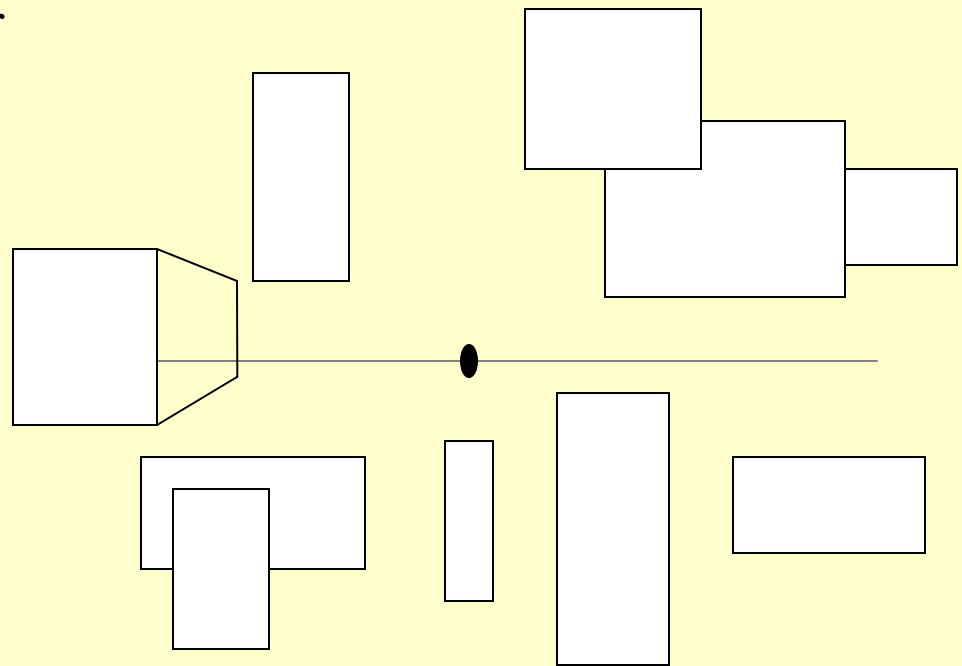
In your Sketchbook

- **One-Point Perspective – Due 10/30** (waived for my former students)
- Landscape Format
- Horizon Line middle of page
- Vanishing Point middle of horizon line
- 2 boxes above the Horizon Line
- 2 boxes below the Horizon Line
- 1 box on the Horizon Line off to the far left
- 1 box partially overlaps another box
- *Total of 6 boxes*



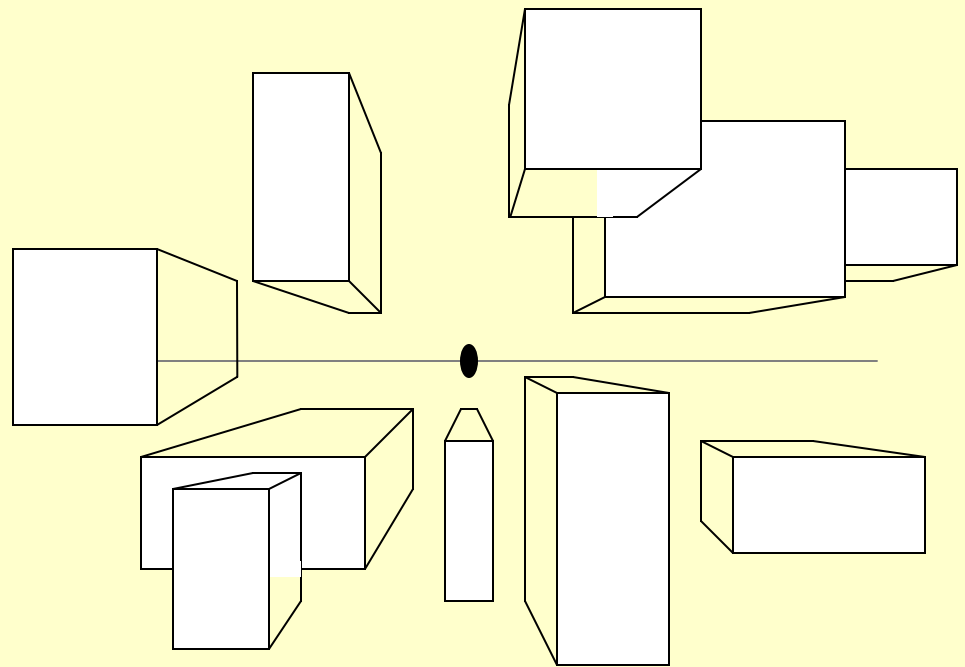
In your Sketchbook

- **One-Point Perspective –**
Due 10/30 (waived for my former students)
- Landscape Format
- Horizon Line middle of page
- Vanishing Point middle of horizon line
- 2 boxes above the Horizon Line
- 2 boxes below the Horizon Line
- 1 box on the Horizon Line off to the far left
- 1 box partially overlaps another box
- ***BOLD ACTUAL BOXES***
- *Total of 6 boxes*



Remember draw carefully

- Vertical Lines
straight up
- Horizontal Lines
straight across
- Diagonal Lines angle
towards the vanishing point



In your Sketchbook

- **One-Point Perspective – Due 10/30**
(waived for my former students)
- Landscape Format
- Horizon Line middle of page
- Vanishing Point middle of horizon line
- 2 boxes above the Horizon Line
- 2 boxes below the Horizon Line
- 1 box on the Horizon Line off to the far left
- 1 box partially overlaps another box
- *Total of 6 boxes*

Remember:

All boxes RECEDE TO THE VANISHING POINT

